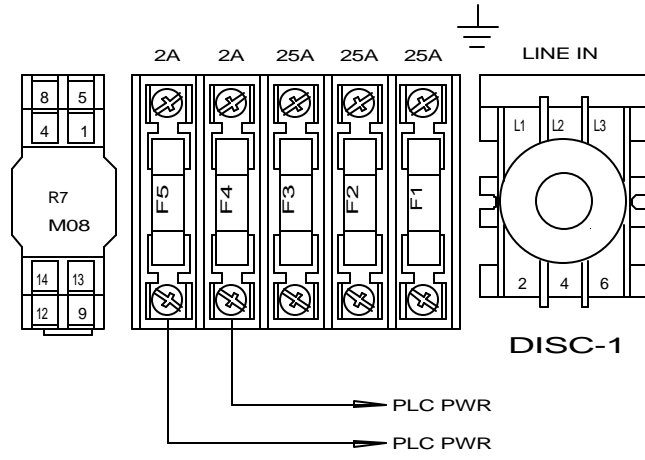
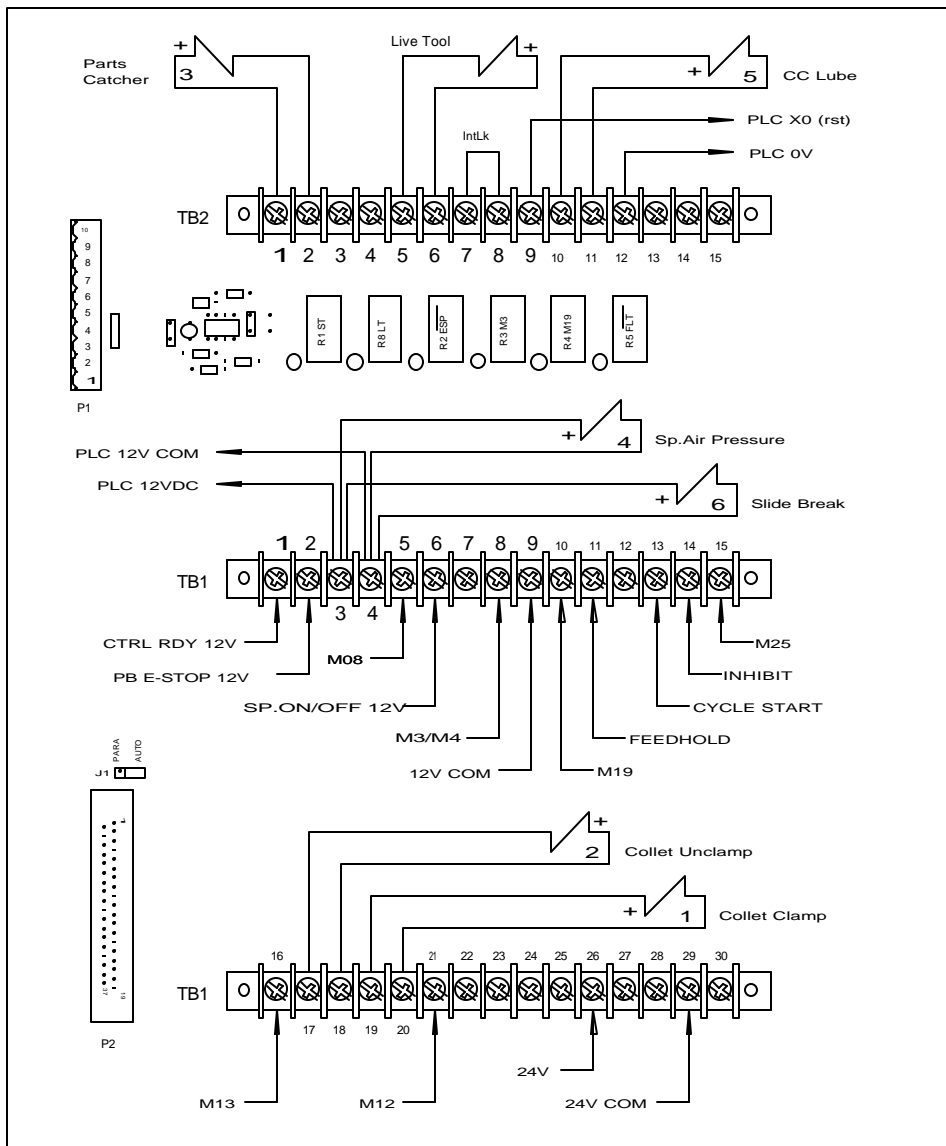


NOTE: This drawing includes optional components and references not on all panels.

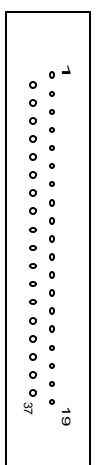
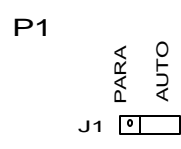
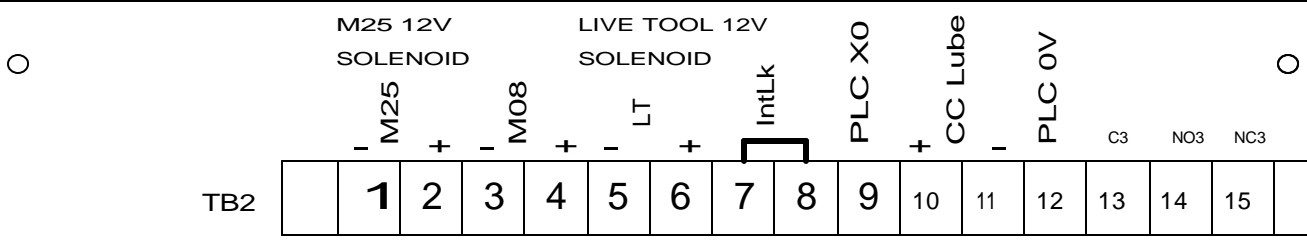


F1,F2,F3 = INVERTER
F4,F5 = COOLANT PUMP

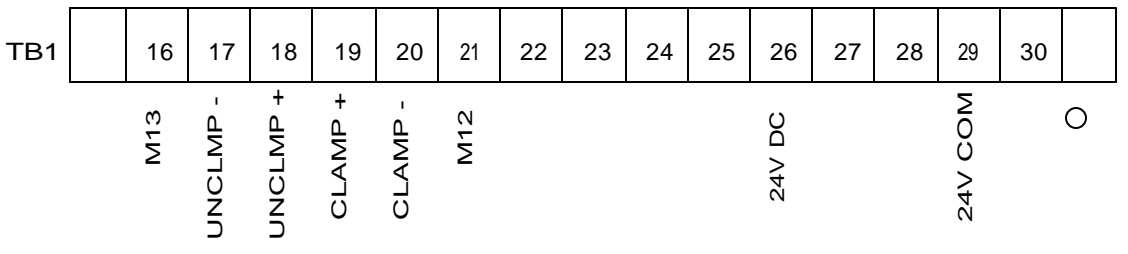
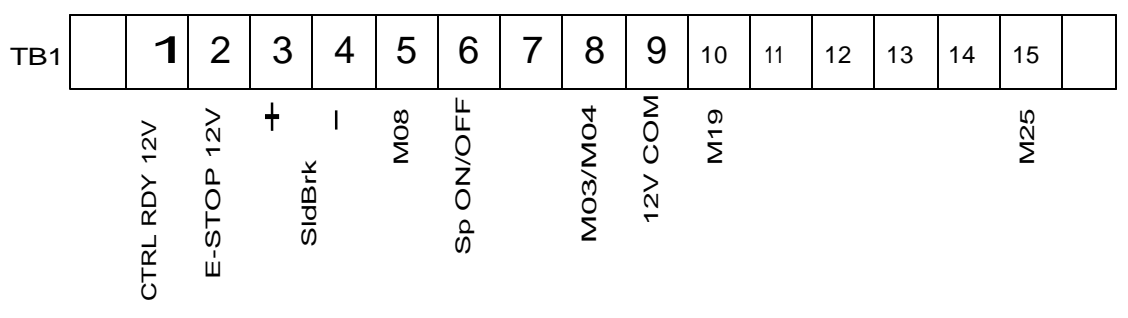
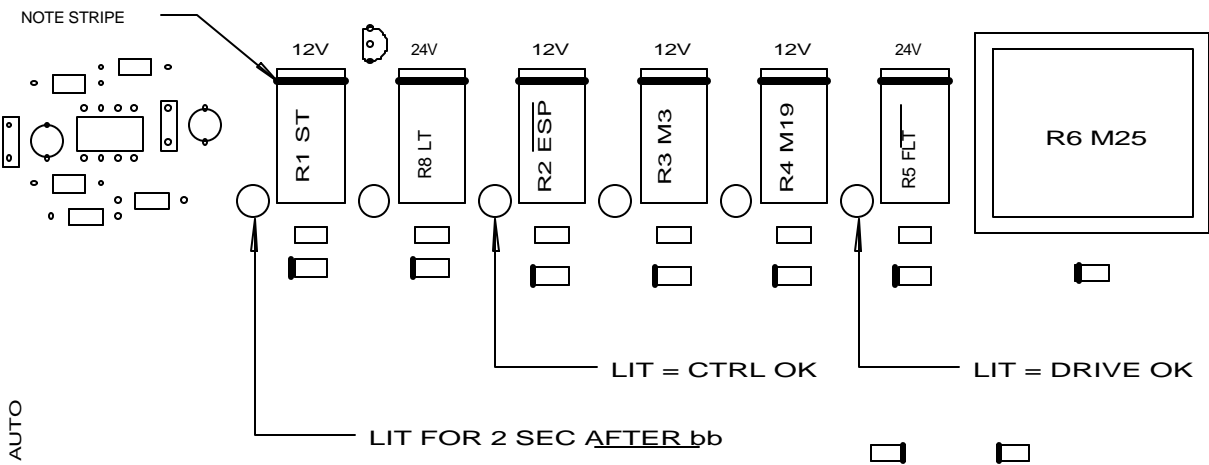


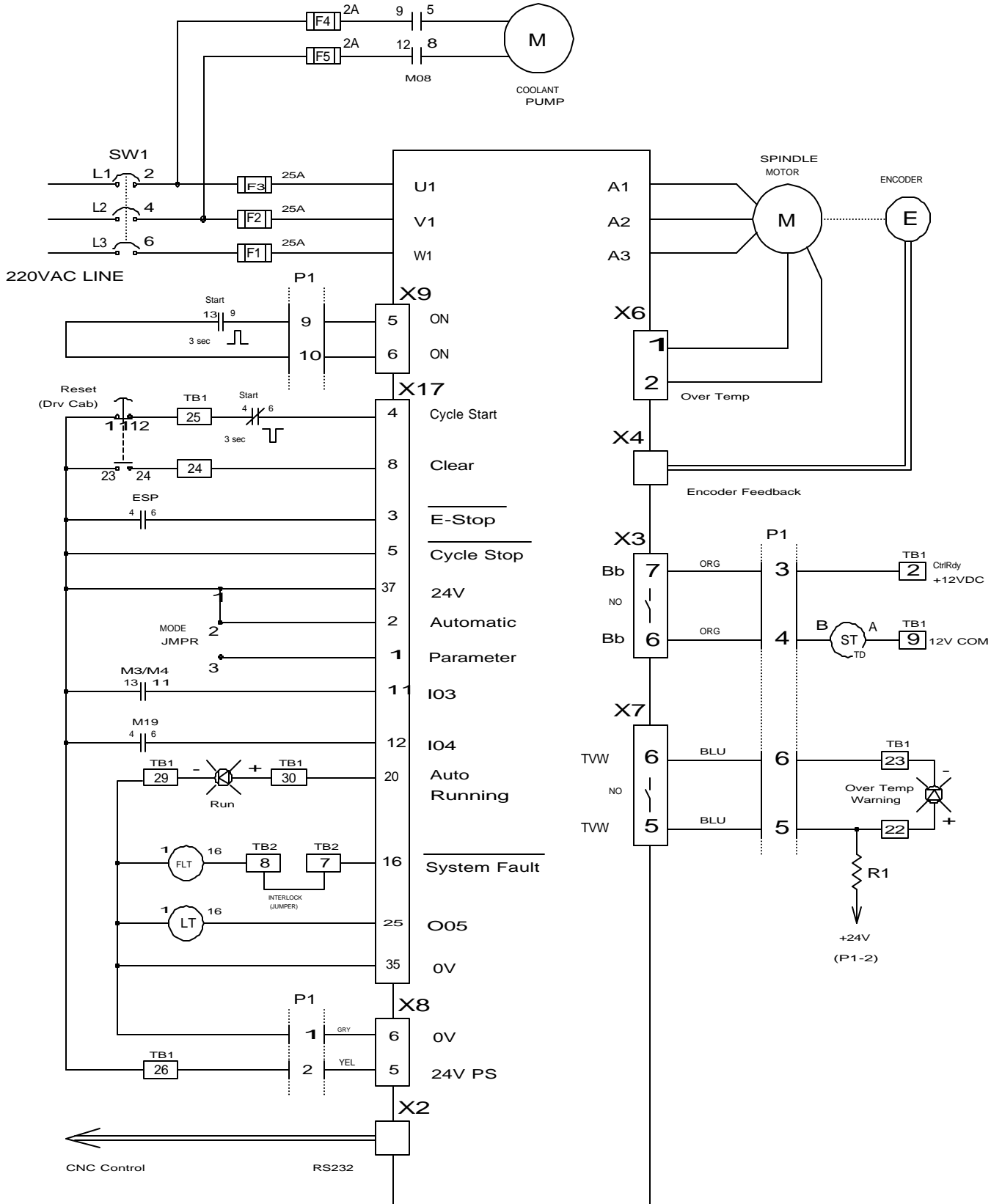
C-AXIS DRIVE PANEL 7/97

OmniTurn



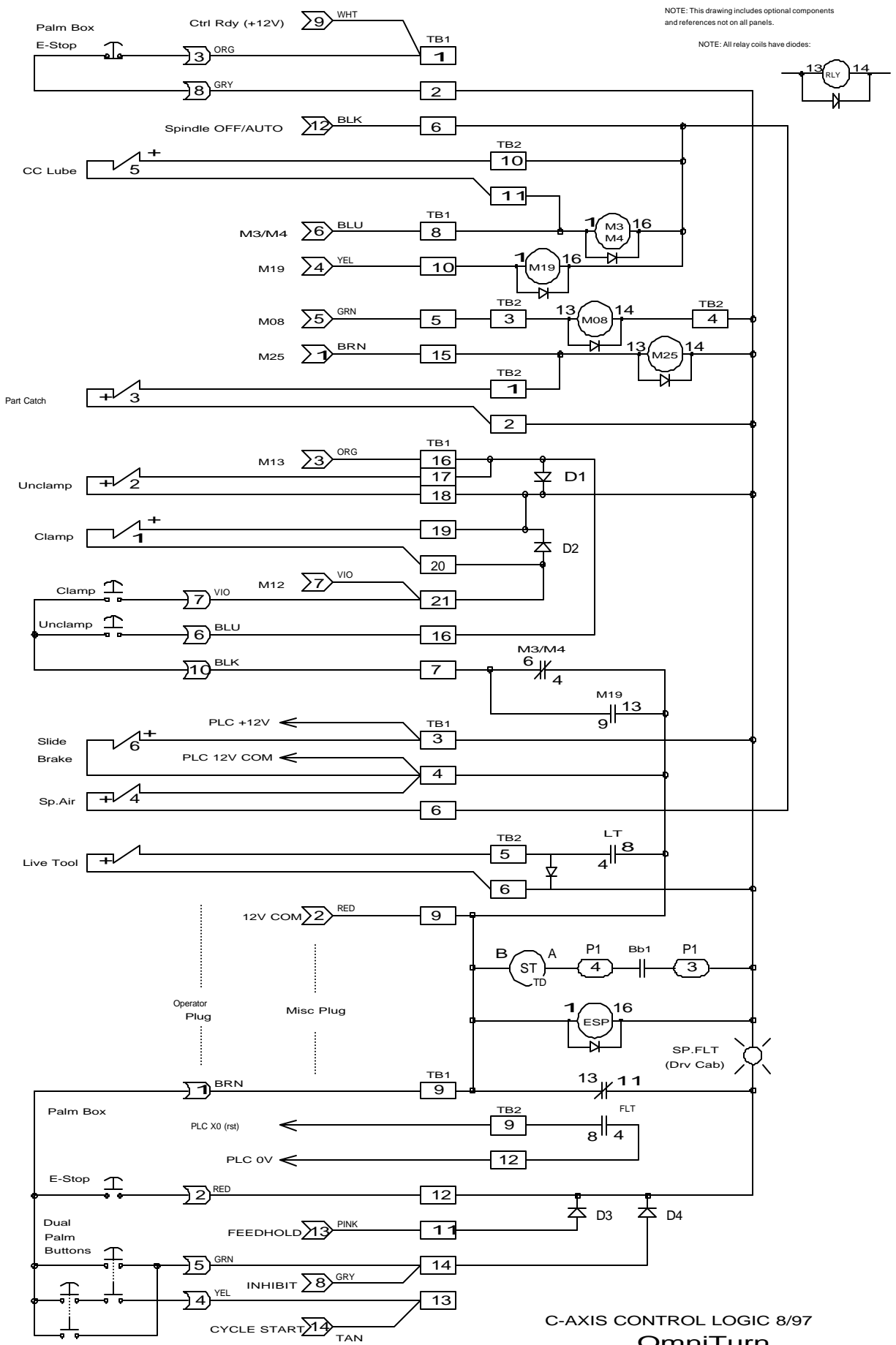
P2
CCA2.DC2





C-Axis SPINDLE DRIVE 7/97

OmniTurn

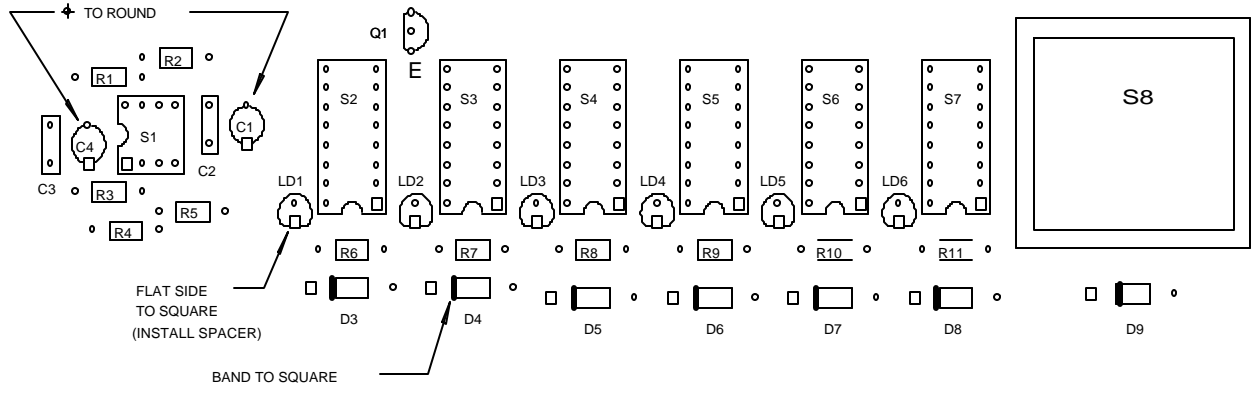
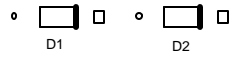
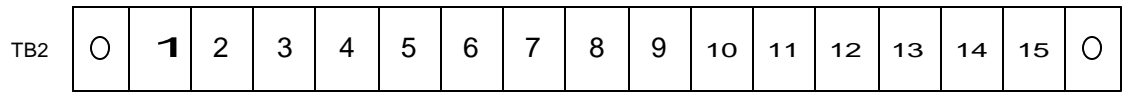


NOTE: This drawing includes optional components and references not on all panels.

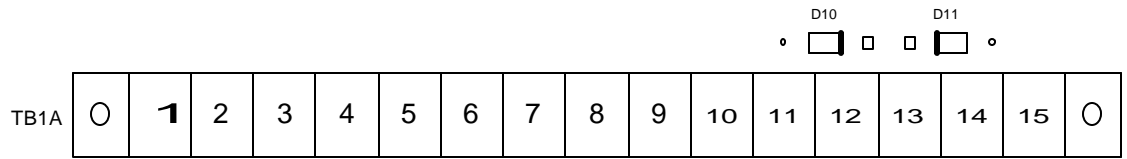
NOTE: All relay coils have diodes.

C-AXIS CONTROL LOGIC 8/97
OmniTurn

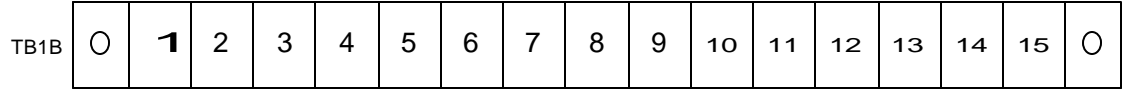
KEY THIS SIDE



P1



- | | | | | |
|---------------------|-----------|-----------------|---------------|------------------------------|
| 150K: R1,R2,R4 | R1: 150K | R7: 3.01K | C1: 10uF | S2 - S7: 16PIN DIP |
| 3.01K: R7,R11 | R2: 150K | R8: 2.21K | C2: 0.1uF | S8: SR3B-62 |
| 2.21K: R6,R8,R9,R10 | R3: 1K | R9: 2.21K | C3: 0.1uF | LD1 - LD6 GREEN LED & SPACER |
| 1K: R3,R5 | R4: 150K | R10: 2.21K | C4: 2.2uF | D1 - D13: 1N4002 |
| 2.21K 1/2W: R12 | R5: 1K | R11: 3.01K | Q1: 2N2222 | TB1A,TB1B,TB2: BEAU 1 x 15 |
| | R6: 2.21K | R12: 2.21K 1/2W | S1: 8 PIN DIP | P1: ENTRELEC 1 x 10 |
| | | | | P2: PP DB37M |
| | | | | J1: PAN PACIFIC 1 x 3 |



P2